

TINY TOOLS... **HUGE SAVINGS!**

Buy **10 TINY TOOLS**
and get a
FREE HOLDER!



Change to the new Carmex *CIM* and
save tool change time, trouble, and money.
Now, save even more with our *CIM* PROMOTION!

The Carmex *CIM*

- Saves money by eliminating multiple toolholders
- Delivers coolant through the holder and tool to the tool tip
- Maintains the initial setting for maximum accuracy and repeatability

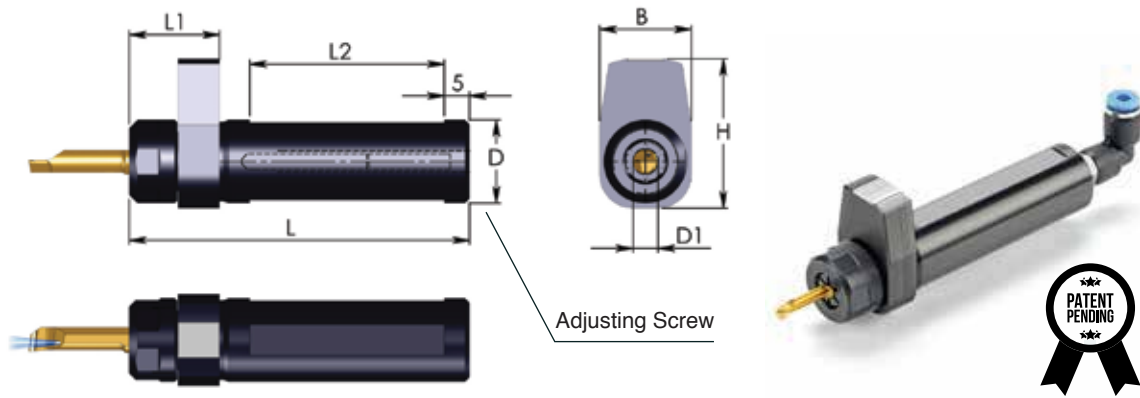
Offer
NOW through
October 31, 2020

To place an order, contact
your local distributor or call
888-628-5030

Email us at
sales@carmexusa.com
www.carmexusa.com



The optimal tools for your industry™




Metric Version

D1	Ordering Code	D	L	L1	L2	B	H
4.0	CIM 0016 H4	16	88	22	58	22	36
	CIM 0020 H4	20	88	22	58	22	36
5.0	CIM 0016 H5	16	88	22	58	22	36
	CIM 0020 H5	20	88	22	58	22	36
6.0	CIM 0016 H6	16	88	22	58	22	36
	CIM 0020 H6	20	88	22	58	22	36

Inch Version

D1 mm	Ordering Code	D"	L"	L1"	L2"	B"	H"
4.0	CIM 0625 H4	5/8	3.5	.87	2.3	.87	1.4
	CIM 0750 H4	3/4	3.5	.87	2.3	.87	1.4
5.0	CIM 0625 H5	5/8	3.5	.87	2.3	.87	1.4
	CIM 0750 H5	3/4	3.5	.87	2.3	.87	1.4
6.0	CIM 0625 H6	5/8	3.5	.87	2.3	.87	1.4
	CIM 0750 H6	3/4	3.5	.87	2.3	.87	1.4

Spare parts

Clamping nut	Wrench key	Adjusting screw	Adjusting screw key	Coolant supply connector
				
CN19	WK19	S35	K25	P-M6-4

* P-M6-6 also available

Pricing

Ordering Code	EDP Number	List Price	Ordering Code	EDP Number	List Price
CIM 0016H4	71400097	\$128.00	CIM 0625H4	71400103	\$128.00
CIM 0016H5	71400101	\$135.00	CIM 0625H5	71400105	\$135.00
CIM 0016H6	71400102	\$135.00	CIM 0625H6	71400107	\$135.00
CIM 0020H4	71400098	\$128.00	CIM 0750H4	71400104	\$128.00
CIM 0020H5	71400099	\$135.00	CIM 0750H5	71400106	\$135.00
CIM 0020H6	71400100	\$135.00	CIM 0750H6	71400108	\$135.00